

Purchase at www.neutron.supply

Neutron Supply

255 East 17th Street, Paterson NJ 07525 Tel: 973.261.9596

E-Mail: info@neutron.supply www.neutron.supply

© 2023 Neutron Supply. All Rights Reserved

80W LED CLASSIC SEMICUT WALL PACK

SPECIFICATIONS

SKU	OWF1005
Wattage	80W
Lumens	10,400lm
CCT	4000K/5000K/5700K
CRI	Ra>70
LED QTY	208PCS (3030)
Input	120-277VAC@50/60Hz Max 0.8A
THD	<20%
Surge	L-N: 2KV L/N-PE: 4KV
IP Rating	IP65
Power Factor	≥0.95
Dimmable	0-10V
Sensor	RECEPTACLE (multifunction sensor)
Efficacy	130LM/W (±10%)
IK Degree	IK08
Finish	Bronze
Replaces PSMH	240W
Warranty	5 Years
Certificates	ETL/cETL, DLC 5.1 Premium

Zhaga BOOK18
Multifunction DOS



FEATURES

- Easy Installation
- Rugged Construction
- CRI>80
- IP65 Water Proof
- Rebate Eligible
- Low-Cost Maintenance
- Motion Sensor (Optional)
- Thermal Head Dissipation
- Beam Angle 90 Degrees

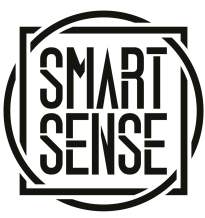
APPLICATION

- Yard Light
- Parking Lighting
- Outdoor Building Wall Pack

ACCESSORIES (SOLD SEPERATELY)



Sensor Control
SKU: RCMF1002



Neutron Supply

255 East 17th Street, Paterson NJ 07525 Tel: 973.261.9596

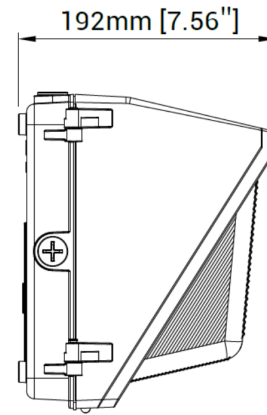
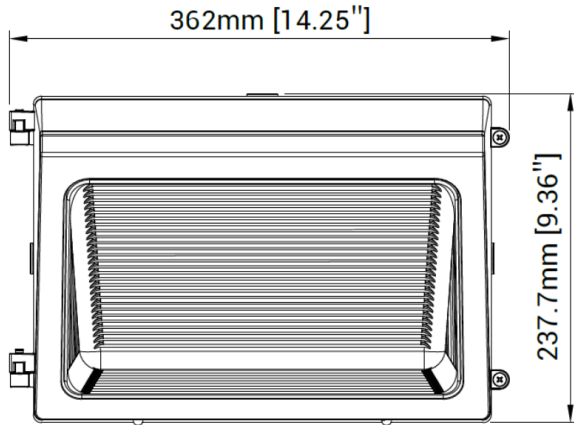
E-Mail: info@neutron.supply www.neutron.supply

© 2023 Neutron Supply. All Rights Reserved

Purchase at www.neutron.supply

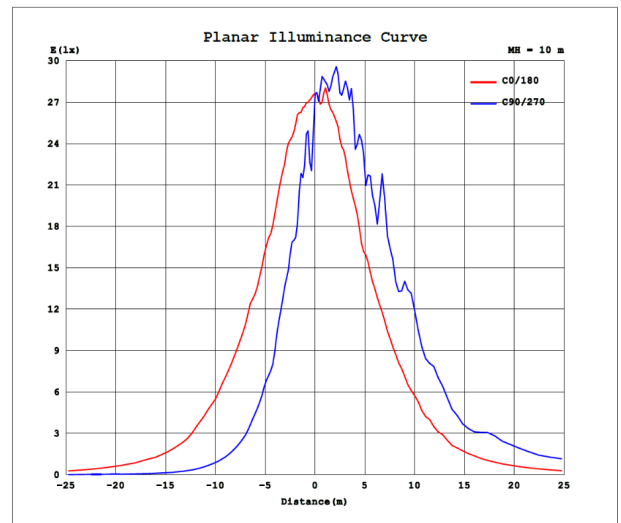
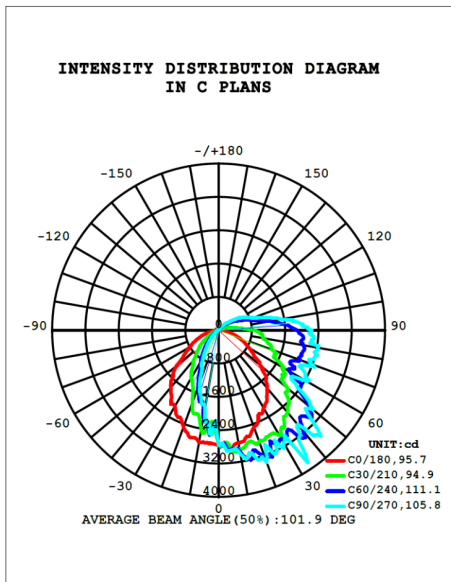
80W LED CLASSIC SEMICUT WALL PACK

DIMENSIONS



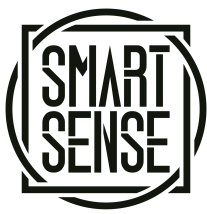
OWF1005

PHOTOMETRIC



OWF1005

Project Name:
Type:
Catalog Number:
Voltage:
Approved By:
Date:



Purchase at www.neutron.supply

LED SENSOR REMOTE

Detection Area	Short press to set detection area 25% / 50% / 75% / 100% Long press (>3s) to transmit selected value
Hold Time	Short press to set hold time 0S / 30S / 1min / 3min / 5min / 10min / 20min / 30min Long press >3s to transmit selected value
Daylight Threshold	Short press to set daylight threshold 5Lux / 15Lux / disable Long press >3 to transmit selected value When set daylight threshold to disable , sensor will switch on light when detect motion regardless of ambient brightness level
Send	Short press to transmit all selected value on remote screen
Stand-By Period	Short press to set standby period 0S / 30S / 1min / 3min / 5min / 10min / 20min / 30min / +∞ Long Press >3s to transmit selected value
Stand-by DIM Level	Short press to set standby dimmin level 10% / 20% / 30% / 50% Long Press >3s to transmit selected value
Auto Mode	Short press to set working mode: MD = Motion + Daylight Priority (daylight switch) / Daylight Harvesting; P = Daylight priority / Daylight Harvesting Long press >3s to transmit selected mode Note: MP or P is not available for all models. Please follow spec sheet of motion sensor
ON / OFF	When set light on, when power turn off and on again, light will be on. When set light off, when power turn off and on again, light will be on for 9 seconds and then off
Motion Sensor	Short Press to quit from constant on/off mode, sensor start to work (the previous setting stays in validity)
DIM+ / DIM-	Short press to set occupancy light level 50%-100% in MD mode; Set target lux level in MP (Motion+Daylight Harvesting) mode; Dim level will change 5% each time button is pressed
Reset	Detection Area: 100%; Hold Time: 30min Daylight Sensor: Disable; Stand-by Period: 30min; Stand-by Dim Level: 30%
Quick Settings	Option 1. Short press to show setting configuration, long press >3s to save this configuration. Press "send" to transmit selected quicksetting Option 2. Short press to show the setting configuration, long press>3s to save this configuration. Press "send" to transmit selected quicksetting
H/L	Short press to set high H sensitivity (open application; L low sensitivity (applied in reflection surface around area)
S	N/A



SKU: RCMF1002