

Purchase at www.neutron.supply

Neutron Supply
 255 East 17th Street, Paterson NJ 07525 Tel: 973.261.9596
 E-Mail: info@neutron.supply www.neutron.supply
 © 2023 Neutron Supply. All Rights Reserved

LED AREA SHOEBOX LIGHT

SPECIFICATIONS

SKU	OAF1001	OAF1002	OAF1003
Wattage	150W	200W	300W
Lumens	22500lm	30000lm	45000lm
CCT	5700K	5700K	5700K
CRI	Ra>70	Ra>70	Ra>70
LED QTY	240PCS (2835)	324PCS (2835)	480PCS (2835)
Input	120-277VAC@ 50/60Hz Max 1.4A	120-277VAC @50/60Hz Max 1.85A	120-277VAC@ 50/60Hz Max 2.75A
THD	<20%	<20%	<20%
Surge	6KV	6KV	6KV
Beam Angle	TYPE 3	TYPE 3	TYPE 3
Product ID	P1TGNLNF	PLCH6N94	P0RWL471
IP Rating	IP65	IP65	IP65
Power Factor	≥0.95	≥0.95	≥0.95
Dimmable	0-10V	0-10V	0-10V
Sensor	RECEPTACLE (multifunction sensor)		
Efficacy	150LM/W (±10%)	150LM/W (±10%)	150LM/W (±10%)
IK Degree	IK08	IK08	IK08
Finish	Bronze	Bronze	Bronze
Replaces PSMH	450W	600W	1000W
Warranty	5 Years	5 Years	5 Yars
Certificates	UL/cUL, DLC 5.1 Premium		

Zhaga BOOK18
 Multifunction DALI



FEATURES

- Easy Installation
- Thermal Head Dissipation
- Premium LED Chips
- J Hook Mount
- IP IP65 Water Proof
- CRI>70
- Low-Cost Maintenance
- Motion Sensor (Optional)
- Thermal Head Dissipation
- Beam Angle 90 Degrees
- 0-10 Dimmable
- Rebate Eligible

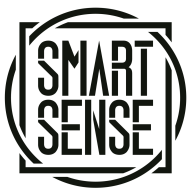
APPLICATION

- Commercial Lighting
- Parking Lighting
- Park Lighting
- Street Lighting

ACCESSORIES (SOLD SEPARATELY)



Sensor Control
SKU: RCMF1002

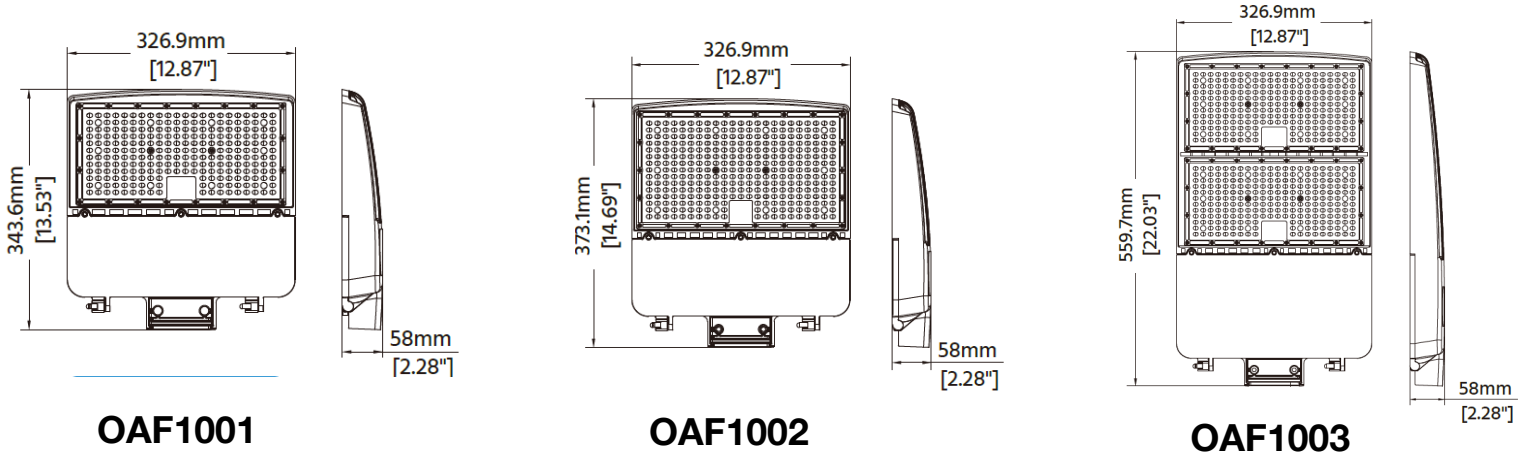


Purchase at www.neutron.supply

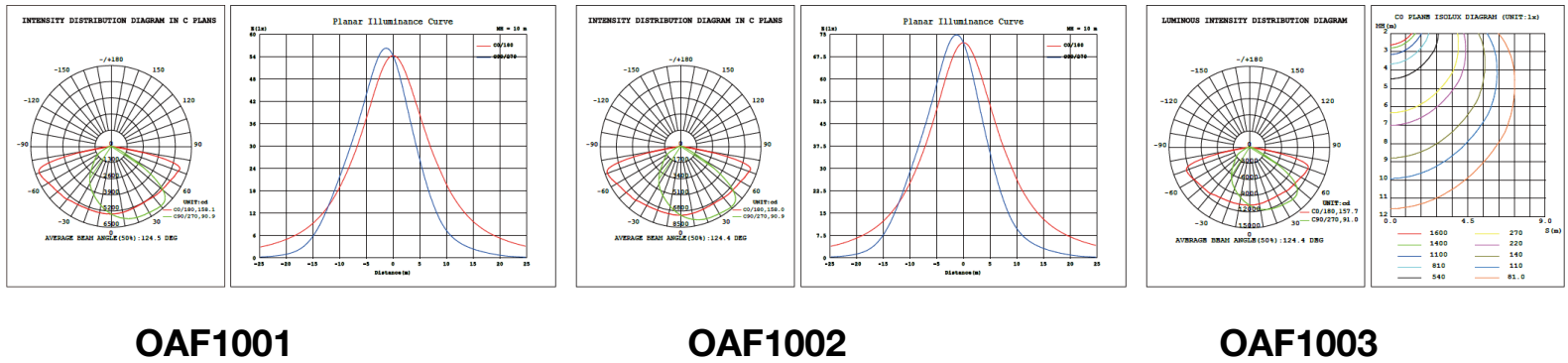
Neutron Supply
 255 East 17th Street, Paterson NJ 07525 Tel: 973.261.9596
 E-Mail: info@neutron.supply www.neutron.supply
 © 2023 Neutron Supply. All Rights Reserved

LED AREA SHOEBOX LIGHT

DIMENSIONS

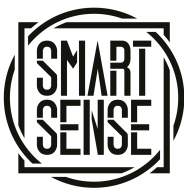


PHOTOMETRIC



PACKAGE

SKU / WATT	QTY BOX / CARTON	CARTON SIZE	BOX / CARTON WEIGHT
OAF1001 / 150W	1 PC BOX	15.75"x14.57"x5.51"	11.68 lbs
OAF1001 / 150W	2 PC CARTON	19.85"x15.35"x12"	25.35 lbs
OAF1002 / 200W	1 PC BOX	21.25"x15.35"x12"	12.78 lbs
OAF1002 / 200W	2 PC CARTON	14.57"x14.4"x14.57"	27.56 lbs
OAF1003 / 300W	2 PC CARTON	28.74"x15.35"x12"	38.58 lbs



Purchase at www.neutron.supply

Neutron Supply
255 East 17th Street, Paterson NJ 07525 Tel: 973.261.9596
E-Mail: info@neutron.supply www.neutron.supply
© 2023 Neutron Supply. All Rights Reserved

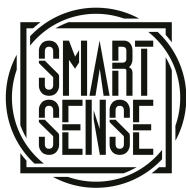
LED SENSOR REMOTE

Detection Area	Short press to set detection area 25% / 50% / 75% / 100% Long press (>3s) to transmit selected value
Hold Time	Short press to set hold time 0S / 30S / 1min / 3min / 5min / 10min / 20min / 30min Long press >3s to transmit selected value
Daylight Threshold	Short press to set daylight threshold 5Lux / 15Lux / disable Long press >3 to transmit selected value When set daylight threshold to disable , sensor will switch on light when detect motion regardless of ambient brightness level
Send	Short press to transmit all selected value on remote screen
Stand-By Period	Short press to set standby period 0S / 30S / 1min / 3min / 5min / 10min / 20min / 30min / +∞ Long Press >3s to transmit selected value
Stand-by DIM Level	Short press to set standby dimmin level 10% / 20% / 30% / 50% Long Press >3s to transmit selected value
Auto Mode	Short press to set working mode: MD = Motion + Daylight Priority (daylight switch) / Daylight Harvesting; P = Daylight priority / Daylight Harvesting Long press >3s to transmit selected mode Note: MP or P is not available for all models. Please follow spec sheet of motion sensor
ON / OFF	When set light on, when power turn off and on again, light will be on. When set light off, when power turn off and on again, light will be on for 9 seconds and then off
Motion Sensor	Short Press to quit from constant on/off mode, sensor start to work (the previous setting stays in validity)
DIM+ / DIM-	Short press to set occupancy light level 50%-100% in MD mode; Set target lux level in MP (Motion+Daylight Harvesting) mode; Dim level will change 5% each time button is pressed
Reset	Detection Area: 100%; Hold Time: 30min Daylight Sensor: Disable; Stand-by Period: 30min; Stand-by Dim Level: 30%
Quick Settings	Option 1. Short press to show setting configuration, long press >3s to save this configuration. Press "send" to transmit selected quicksetting Option 2. Short press to show the setting configuration, long press>3s to save this configuration. Press "send" to transmit selected quicksetting
H/L	Short press to set high H sensitivity (open application; L low sensitivity (applied in reflection surface around area)
S	N/A

**Sensor Control Sold Separately*



SKU: RCMF1002



Purchase at www.neutron.supply

Neutron Supply
255 East 17th Street, Paterson NJ 07525 Tel: 973.261.9596
E-Mail: info@neutron.supply www.neutron.supply
© 2023 Neutron Supply. All Rights Reserved

DESIGNLIGHTS CONSORTIUM



OAF1001 / 150W

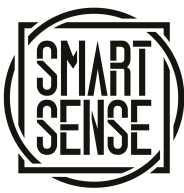
Classification	Premium
Primary Use	Outdoor Pole / Arm-Mounted Area and Roadway Luminaires
Reported Input Wattage	151.2 W
Reported Light Output	21931 lm
Reported CCT	5700 K
Reported CRI (Ra)	74
Product ID	P1TGNLNF
DLC Family Code	YYYFBR
Listing Status	Listed
Date Qualified	1/17/22

OAF1002 / 200W

Classification	Premium
Primary Use	Outdoor Pole / Arm-Mounted Area and Roadway Luminaires
Reported Input Wattage	197.8 W
Reported Light Output	30371 lm
Reported CCT	3500 K
Reported CRI (Ra)	80
Product ID	PLCH6N94
DLC Family Code	RRRWIJ
Listing Status	Listed
Date Qualified	1/17/22

OAF1003 / 300W

Classification	Premium
Primary Use	Outdoor Pole / Arm-Mounted Area and Roadway Luminaires
Reported Input Wattage	300.4 W
Reported Light Output	44262 lm
Reported CCT	5700 K
Reported CRI (Ra)	74
Product ID	PORWL471
DLC Family Code	YYYFBR
Listing Status	Listed
Date Qualified	01/17/2022



Purchase at www.neutron.supply

Neutron Supply
255 East 17th Street, Paterson NJ 07525 Tel: 973.261.9596
E-Mail: info@neutron.supply www.neutron.supply
© 2023 Neutron Supply. All Rights Reserved

Project Name:
Type:
Catalog Number:
Voltage:
Approved By:
Date: