

Purchase at www.neutron.supply

Neutron Supply

255 East 17th Street, Paterson NJ 07525 Tel: 973.261.9596

E-Mail: info@neutron.supply www.neutron.supply

© 2023 Neutron Supply. All Rights Reserved

UFO LED HIGH BAY LIGHT FIXTURE

SPECIFICATIONS

SKU	CIF1003	CIF1004
Wattage	150W	240W
Lumens	22500lm	36000lm
CCT	5700K	5700K
CRI	Ra>70	Ra>70
Input	120-277VAC@50/60Hz Max 1.4A	120-277VAC@50/60Hz z Max 2.2A
THD	<20%	<20%
Surge	4KV	4KV
Beam Angle	90°	90°
Product ID	PLLDF0T2VYI7	PLAO5OG6IWXU
IP Rating	IP65	IP65
Power Factor	>0.95	>0.95
Dimmable	0-10V	0-10V
Sensor	ZH18MF001	ZH18MF001
Efficacy	150LM/W (±10%)	150LM/W (±10%)
IK Degree	IK10	IK10
Finish	Black	Black
Warranty	5 Years	5 Years
Certificates	UL/cUL, DLC 5.1 Premium	UL/cUL, DLC 5.1 Premium



FEATURES

- Easy Installation
- Premium LED Chips
- Rugged Construction
- CRI>70
- J Hook Mount
- IP IP65 Water Proof
- Low-Cost Maintenance
- Motion Sensor (Optional)
- Thermal Head Dissipation
- Beam Angle 90 Degrees
- 0-10 Dimmable
- Rebate Eligible

APPLICATION

- Industrial lighting
- Warehouse lighting
- Factory lighting
- Gymnasium lighting
- Transportation lighting
- Hospitality lighting
- Sports center lighting
- Garage lighting

SOLD SEPARATELY



Sensor Control
SKU: RCMF1002



J-Hook



6FT
Power Cord

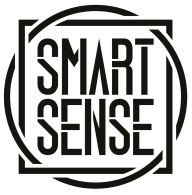


6FT Safety
Harness Cable



Multifunction
Sensor

ACCESSORIES INCLUDED



Purchase at www.neutron.supply

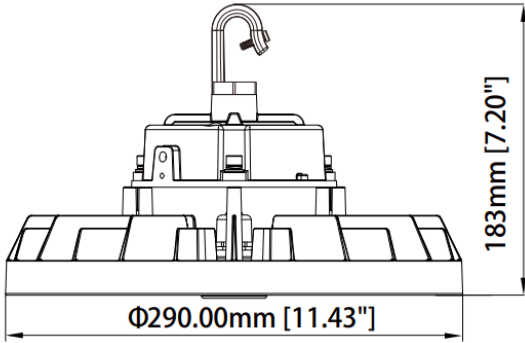
Neutron Supply

255 East 17th Street, Paterson NJ 07525 Tel: 973.261.9596

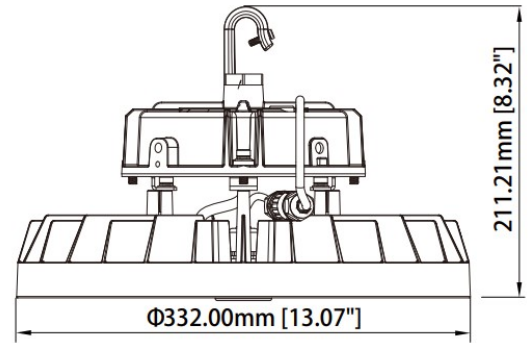
E-Mail: info@neutron.supply www.neutron.supply

UFO LED HIGH BAY LIGHT FIXTURE

DIMENSIONS

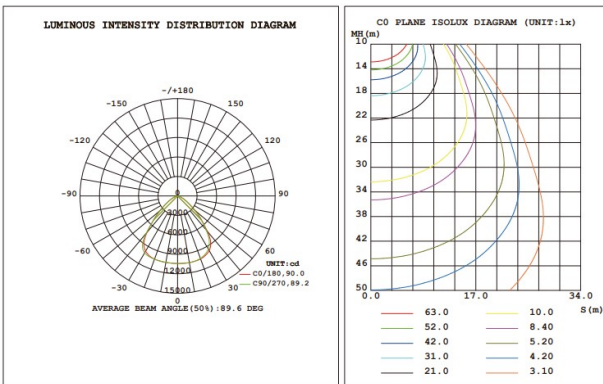


CIF1003

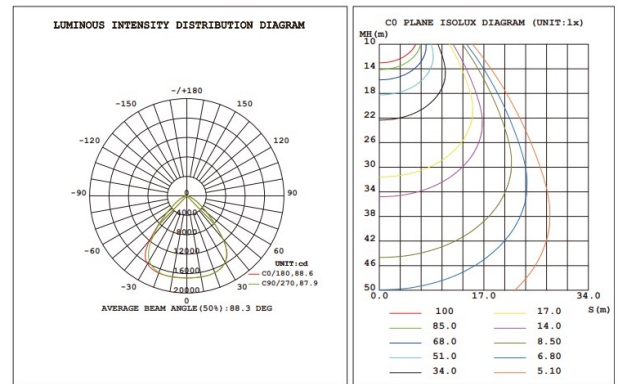


CIF1004

PHOTOMETRIC



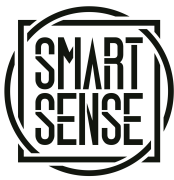
CIF1003



CIF1004

PACKAGE

SKU / WATT	QTY BOX / CARTON	CARTON SIZE	BOX / CARTON WEIGHT
CIF1003 / 150W	1 PC BOX	13.7"x13.7"x6.37"	7.3 lbs
CIF1003 / 150W	2 PC CARTON	13.78"x13.8"x13.28"	15.65 lbs
CIF1004 / 240W	1 PC BOX	13.78"x13.78"x6.7"	10.4 lbs
CIF1004 / 240W	2 PC CARTON	14.57"x14.4"x14.57"	23 lbs



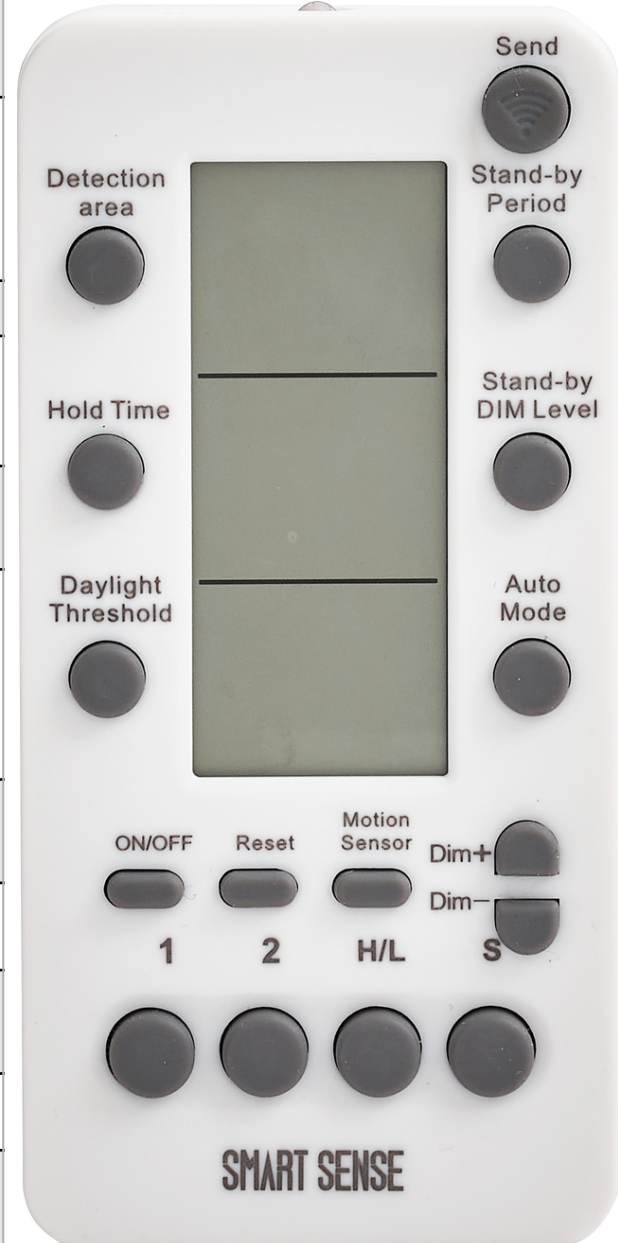
Purchase at www.neutron.supply

Neutron Supply
 255 East 17th Street, Paterson NJ 07525 Tel: 973.261.9596
 E-Mail: info@neutron.supply www.neutron.supply
 © 2023 Neutron Supply. All Rights Reserved

LED SENSOR CONTROL

Detection Area	Short press to set detection area 25% / 50% / 75% / 100% Long press (>3s) to transmit selected value
Hold Time	Short press to set hold time 0S / 30S / 1min / 3min / 5min / 10min / 20min / 30min Long press >3s to transmit selected value
Daylight Threshold	Short press to set daylight threshold 5Lux / 15Lux / disable Long press >3 to transmit selected value When set daylight threshold to disable , sensor will switch on light when detect motion regardless of ambient brightness level
Send	Short press to transmit all selected value on remote screen
Stand-By Period	Short press to set standby period 0S / 30S / 1min / 3min / 5min / 10min / 20min / 30min / +∞ Long Press >3s to transmit selected value
Stand-by DIM Level	Short press to set standby dimmin level 10% / 20% / 30% / 50% Long Press >3s to transmit selected value
Auto Mode	Short press to set working mode: MD = Motion + Daylight Priority (daylight switch) / Daylight Harvesting; P = Daylight priority / Daylight Harvesting Long press >3s to transmit selected mode Note: MP or P is not available for all models. Please follow spec sheet of motion sensor
ON / OFF	When set light on, when power turn off and on again, light will be on. When set light off, when power turn off and on again, light will be on for 9 seconds and then off
Motion Sensor	Short Press to quit from constant on/off mode, sensor start to work (the previous setting stays in validity)
DIM+ / DIM-	Short press to set occupancy light level 50%-100% in MD mode; Set target lux level in MP (Motion+Daylight Harvesting) mode; Dim level will change 5% each time button is pressed
Reset	Detection Area: 100%; Hold Time: 30min Daylight Sensor: Disable; Stand-by Period: 30min; Stand-by Dim Level: 30%
Quick Settings	Option 1. Short press to show setting configuration, long press >3s to save this configuration. Press "send" to transmit selected quicksetting Option 2. Short press to show the setting configuration, long press>3s to save this configuration. Press "send" to transmit selected quicksetting
H/L	Short press to set high H sensitivity (open application; L low sensitivity (applied in reflection surface around area)
S	N/A

**Sensor Control Sold Separately*



SKU: RCMF1002



Purchase at www.neutron.supply

Neutron Supply

255 East 17th Street, Paterson NJ 07525 Tel: 973.261.9596

E-Mail: info@neutron.supply www.neutron.supply

© 2023 Neutron Supply. All Rights Reserved

DESIGNLIGHTS CONSORTIUM



CIF1003

Classification	Premium
Primary Use	High-Bay Luminaires for Commercial and Industrial Buildings
Reported Input Wattage	150 W
Reported Light Output	22500 lm
Reported CCT	5700 K
Reported CRI (Ra)	70
Product ID	PLLDFO0T2VYI7
DLC Family Code	LLLCCJ
Listing Status	Listed
Date Qualified	12/22/21

CIF1004

Classification	Premium
Primary Use	High-Bay Luminaires for Commercial and Industrial Buildings
Reported Input Wattage	240 W
Reported Light Output	36000 lm
Reported CCT	5700 K
Reported CRI (Ra)	70
Product ID	PLAO5OG6IWXU
DLC Family Code	<u>LLLCCJ</u>
Listing Status	Listed
Date Qualified	2021-12-22

Project Name:
Type:
Catalog Number:
Voltage:
Approved By:
Date: